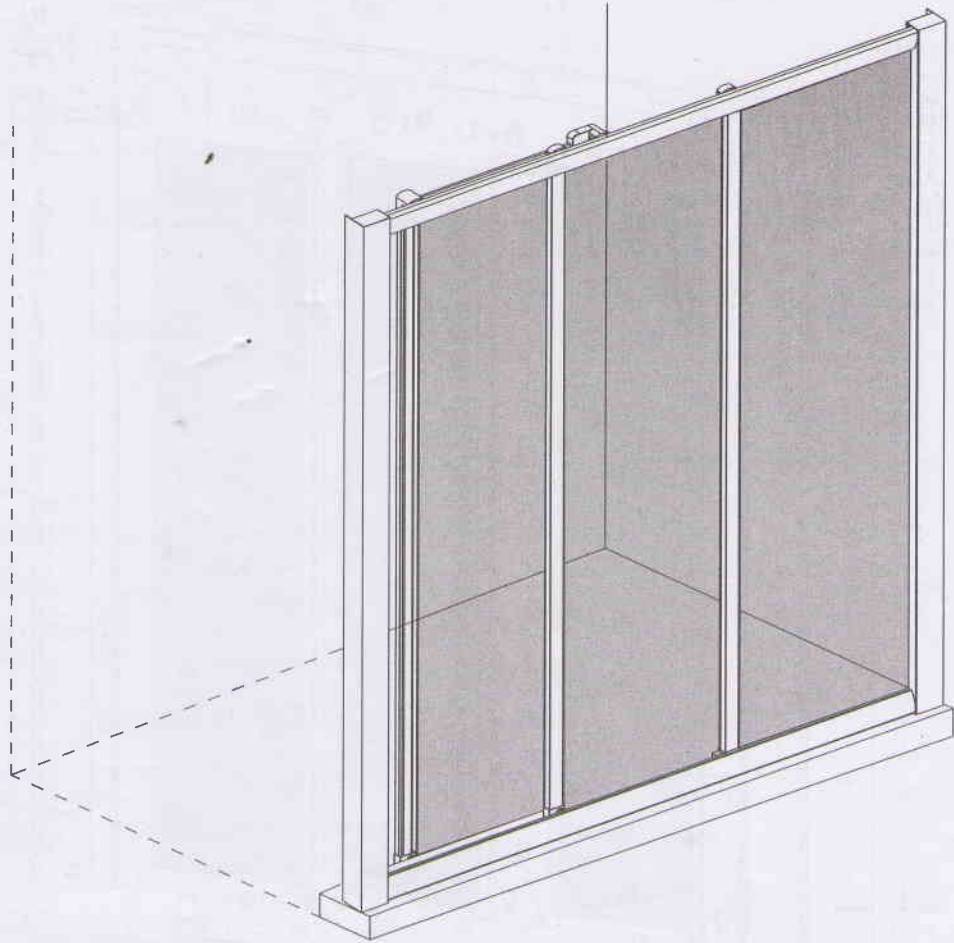
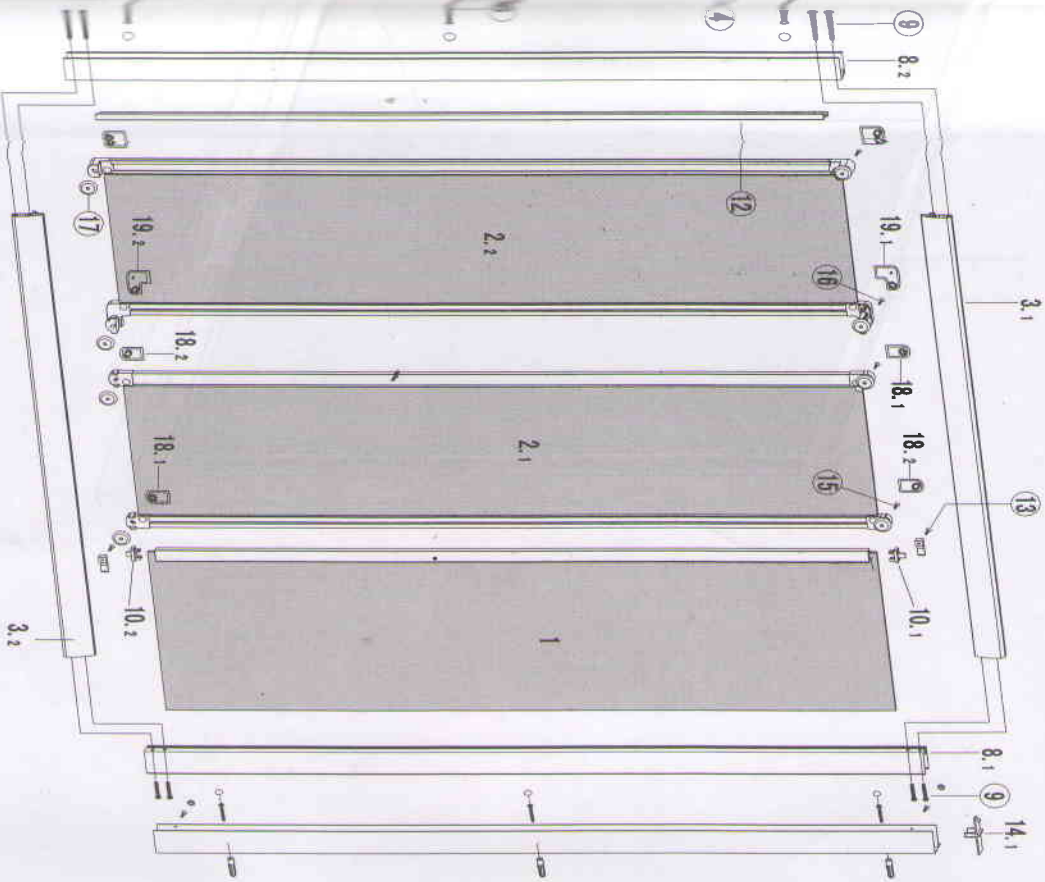
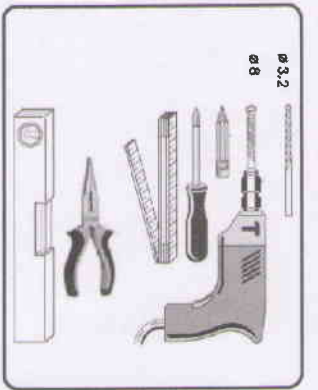
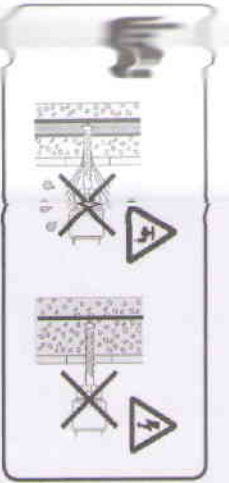


AZS200801-000/B

1

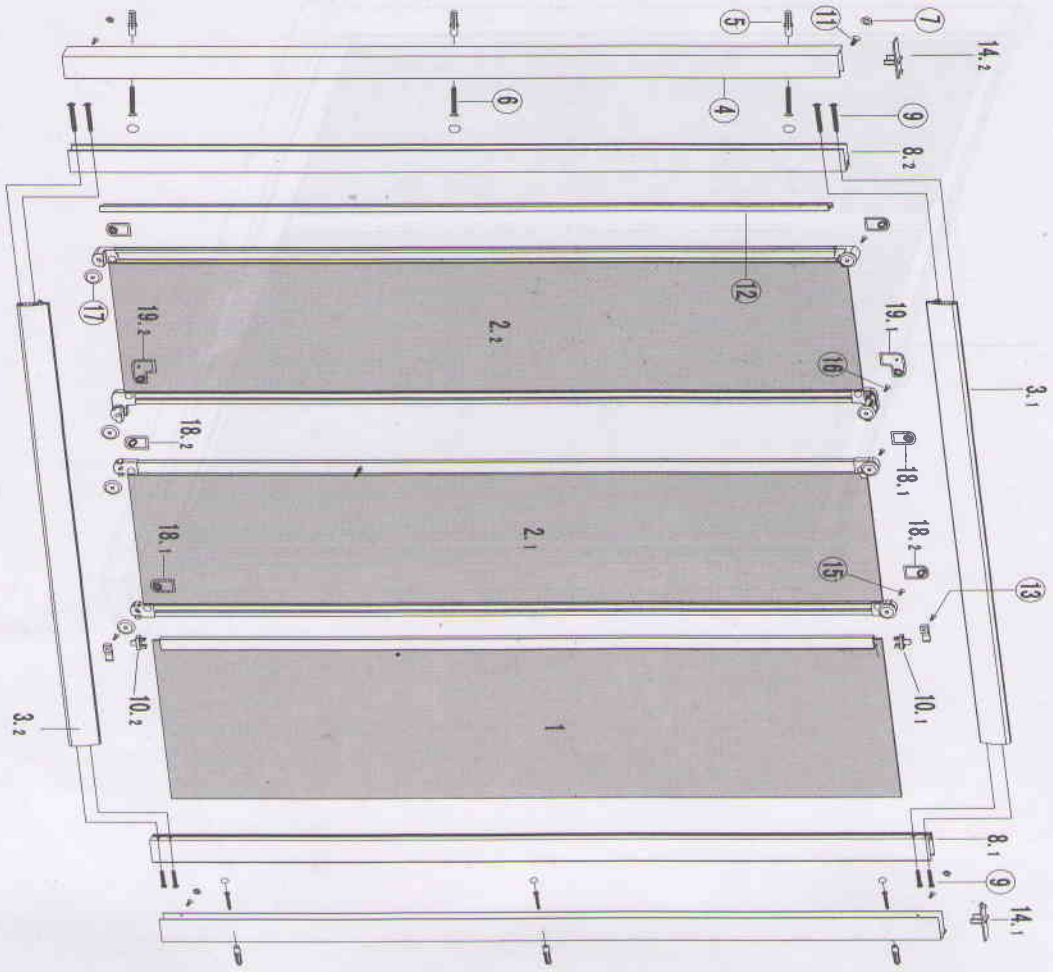
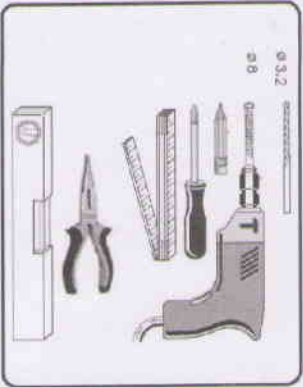
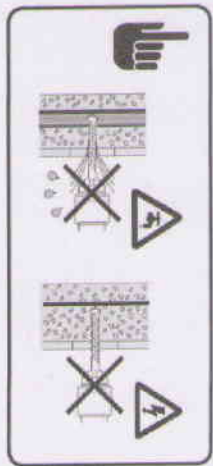




2

NO.	Designation	Pieces	NO.	Designation	Pieces
3.1		X1	12		X1
1		X1	13		X2
2.1		X1	14.1		X1
2.2		X1	14.2		X1
3.2		X1	15		X4
4		X2	16		X4
5		X7	17		X8
6		X7	18.1		X3
7		X11	18.2		X3
8.1		X2	19.1		X1
8.2		X2	19.2		X1
9		X9	11		X5
10.1		X1			
10.2		X1			

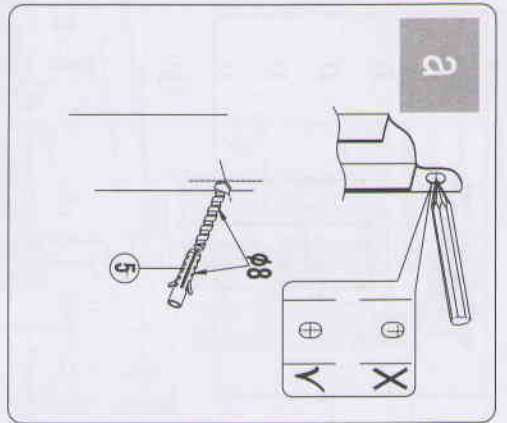
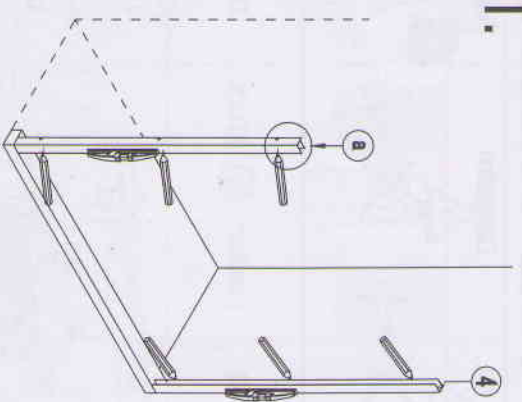
3



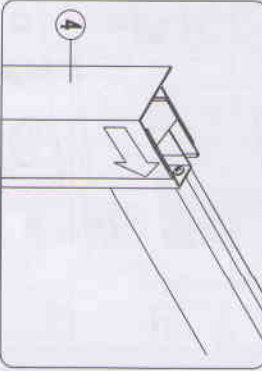
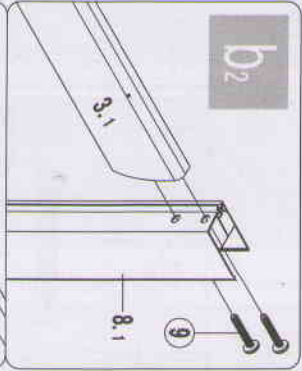
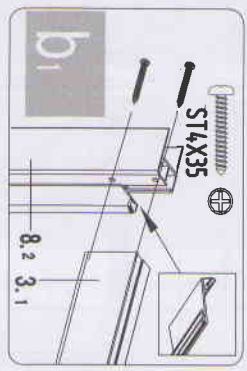
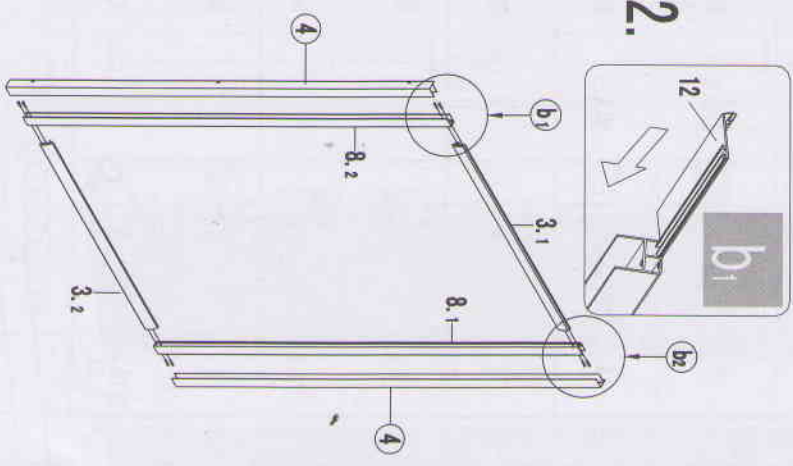
NO.	Designation	Pieces
3.1		X1
1		X1
2.1		X1
2.2		X1
3.2		X1
4		X2
5	$\phi 8$	X7
6	ST4X35	X7
7		X11
8.1		X2
8.2		X2
9	ST4X35	X9
10.1		X1
10.2		X1
11	ST4X10	X5

NO.	Designation	Pieces
12		X1
13	ST4X10	X2
14.1		X1
14.2		X1
15	M4X12	X4
16	M4X25	X4
17		X8
18.1		X3
18.2		X3
19.1		X1
19.2		X1

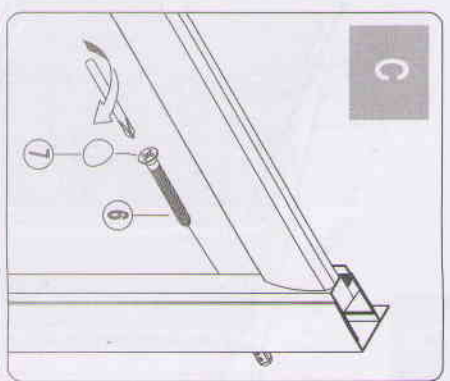
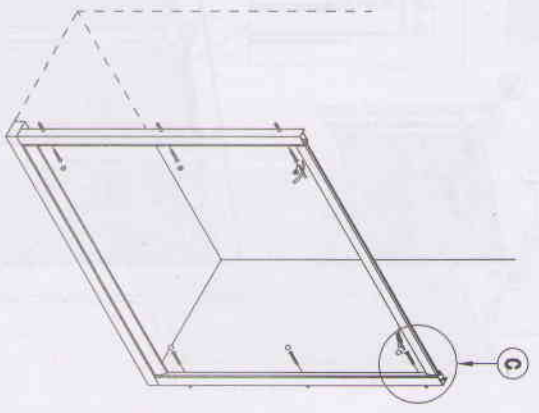
1.



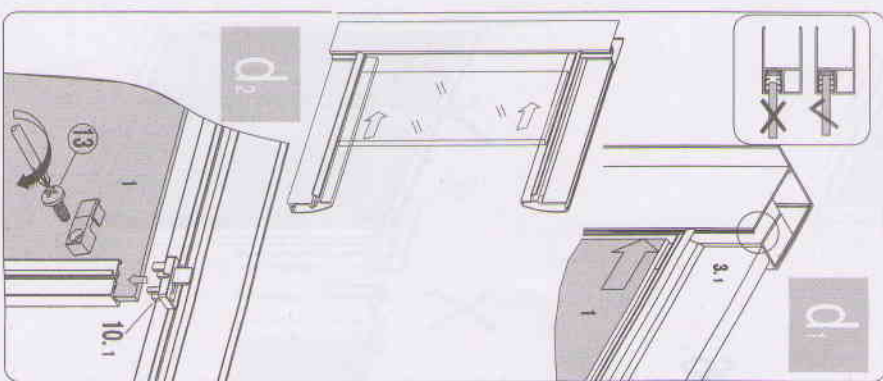
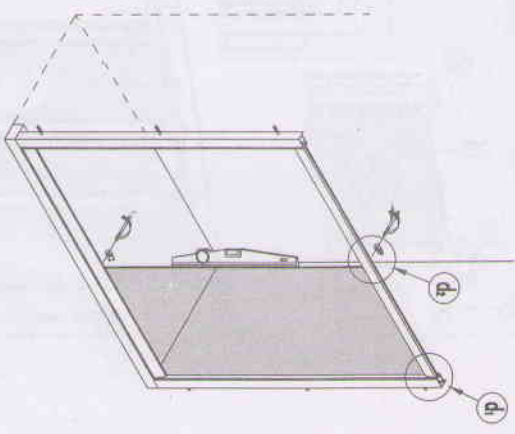
2.



3.



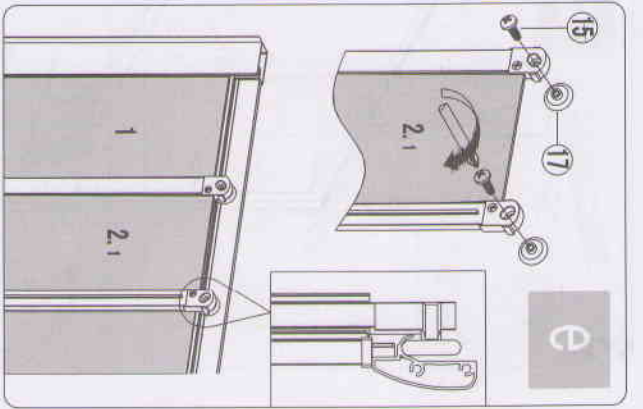
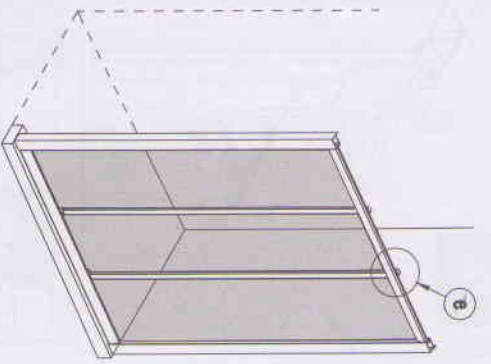
4.



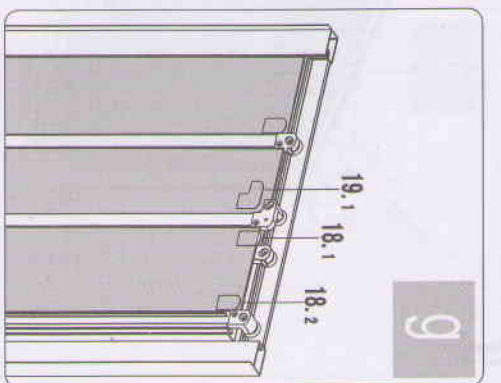
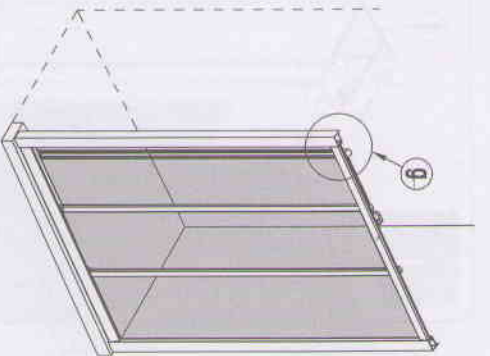
4

5

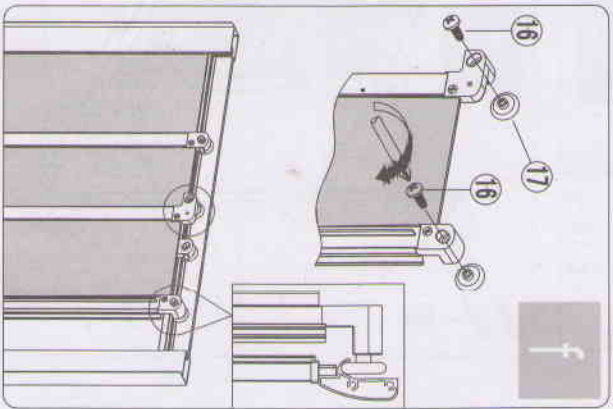
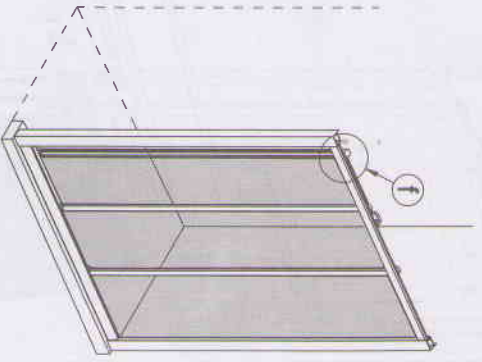
5.



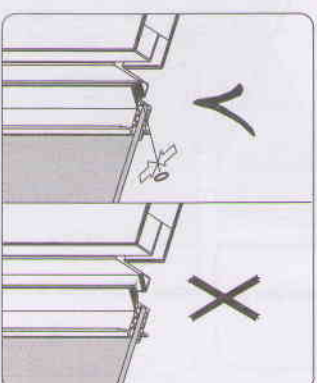
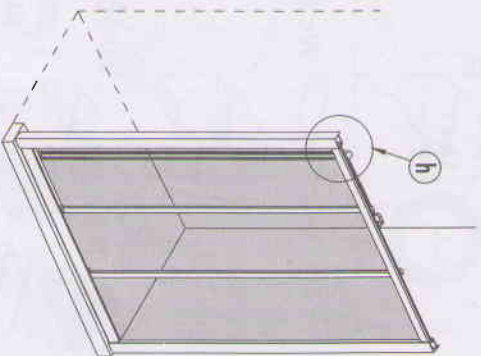
7.



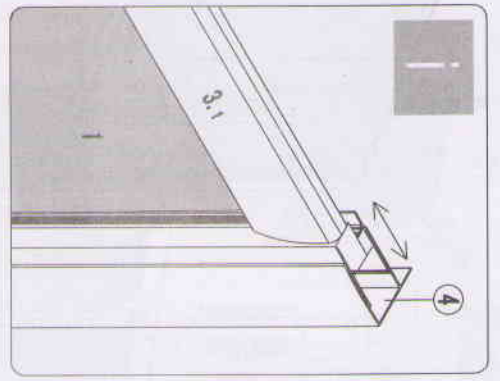
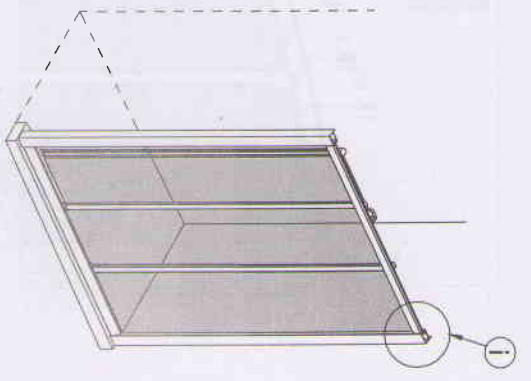
6.



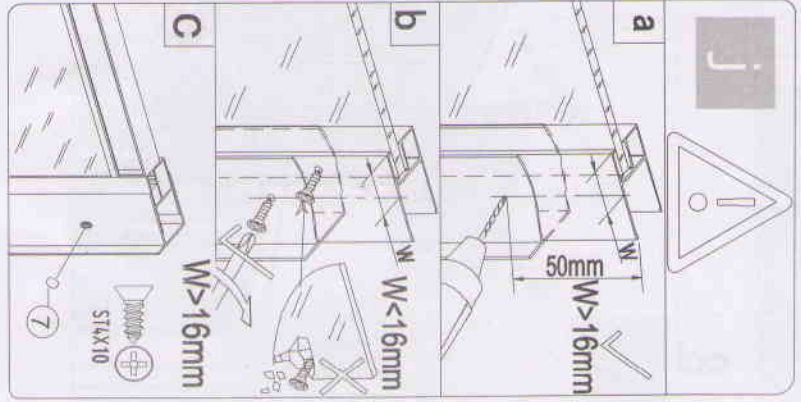
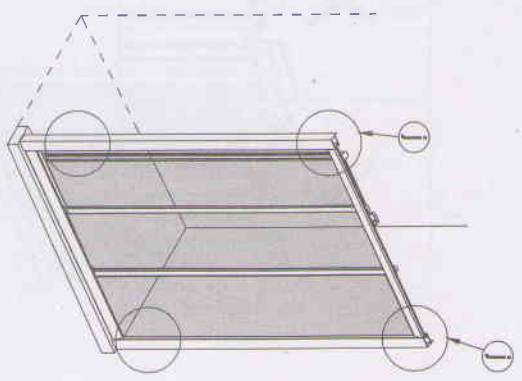
8.



9.

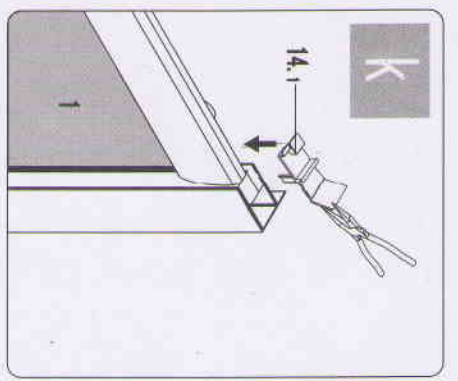
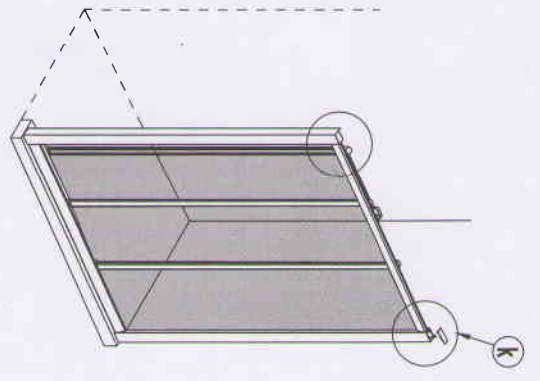


10.

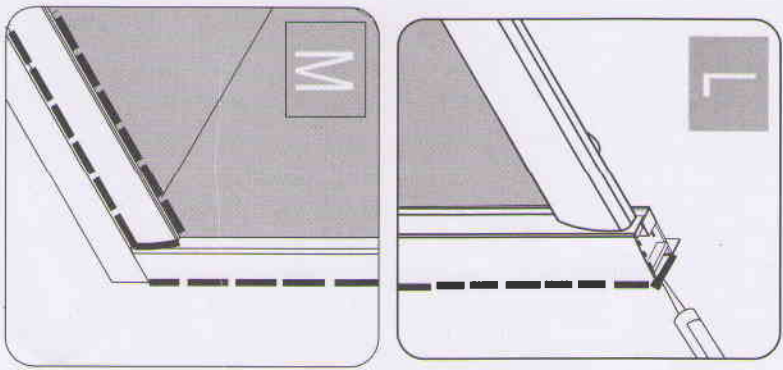
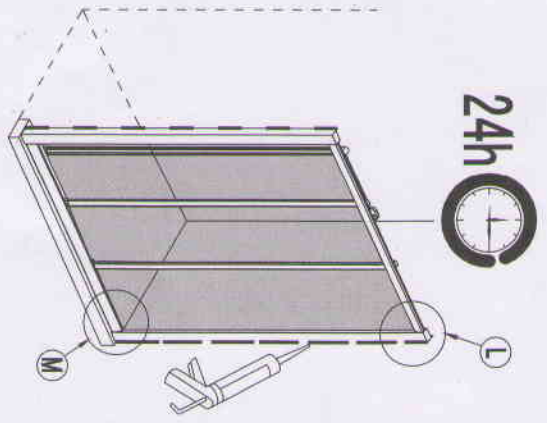


8

11.



12.



9