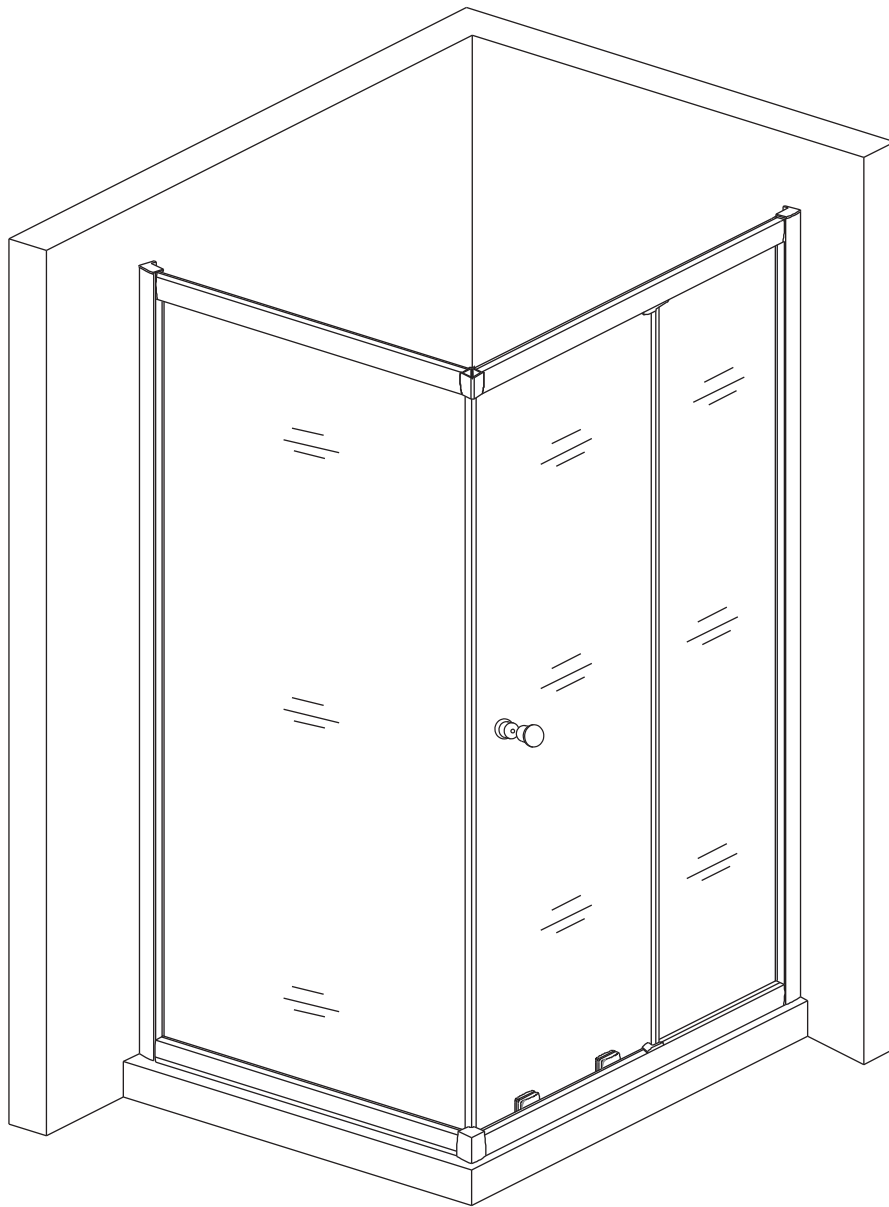
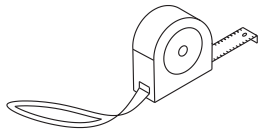


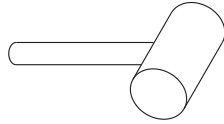
# Installation Manual



# TOOLS REQUIRED



TAPE MEASURE



RUBBER HAMMER



FLAT AND CROSS HEAD SCREWDRIVERS



SPIRIT LEVEL



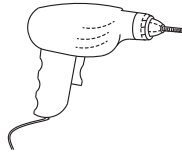
SILICONE & GUN



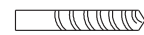
PENCIL



HEXAGON KEY

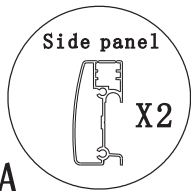


ELECTRIC DRILL

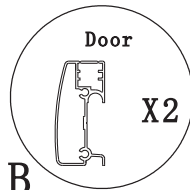


DRILL BIT

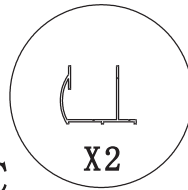
# LIST OF SPARE PARTS



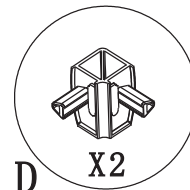
A



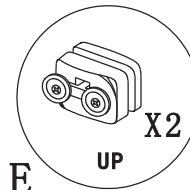
B



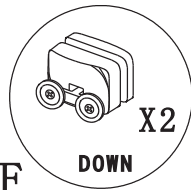
C



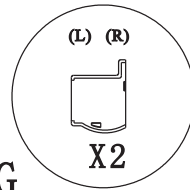
D



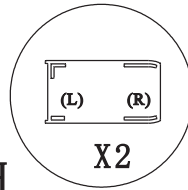
E



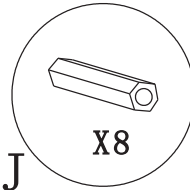
F



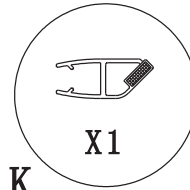
G



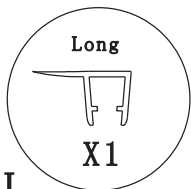
H



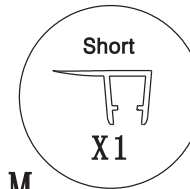
J



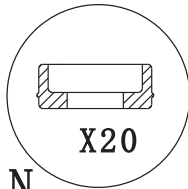
K



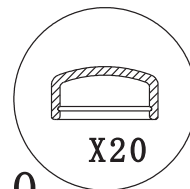
L



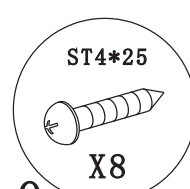
M



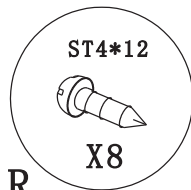
N



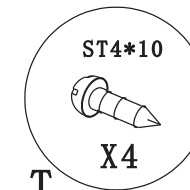
O



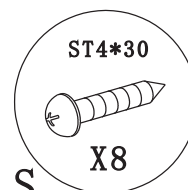
Q



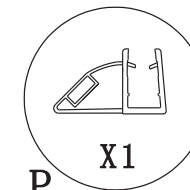
R



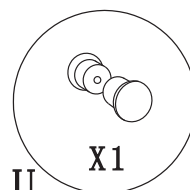
T



S

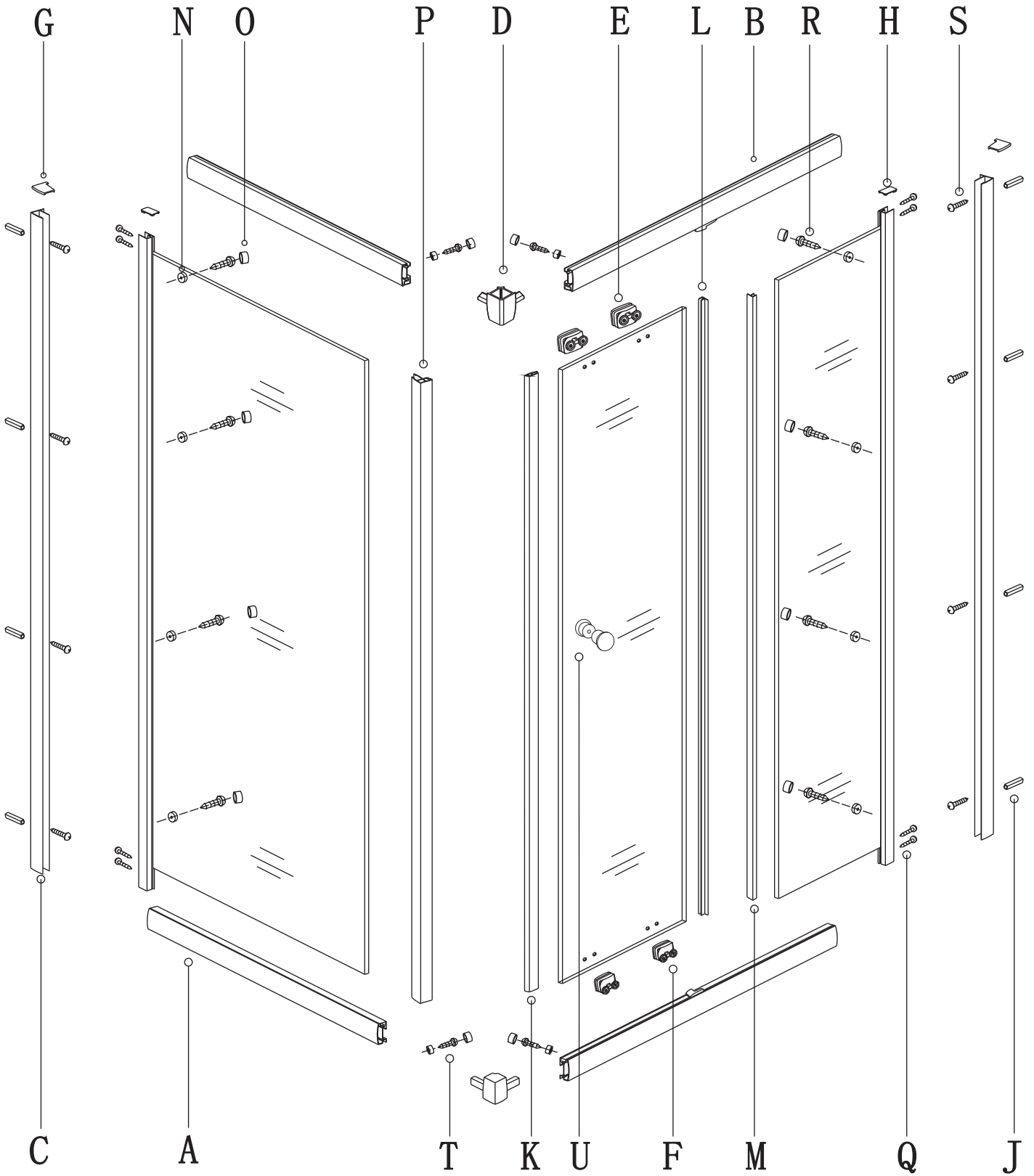


P

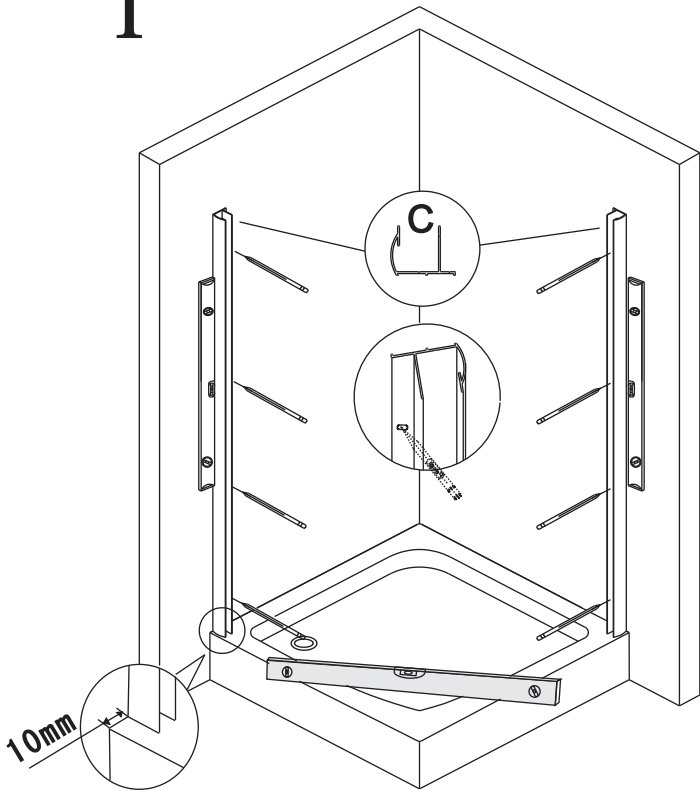


U

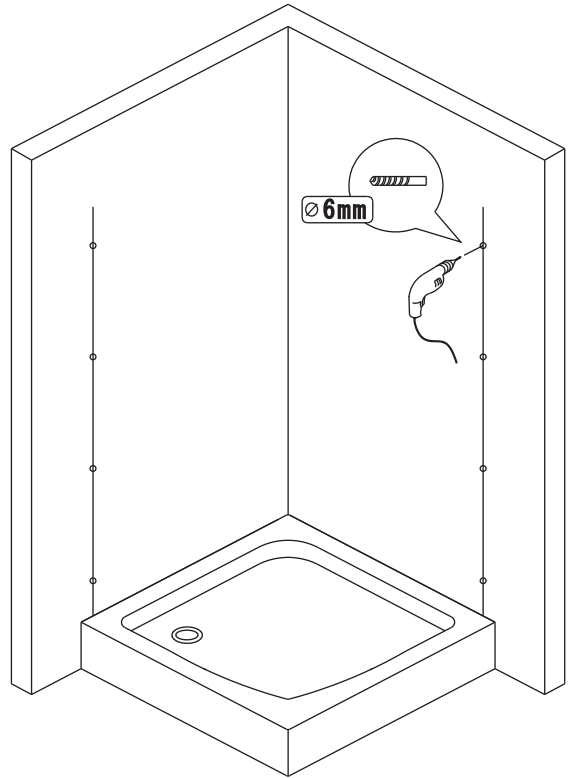
# Product schematic diagram



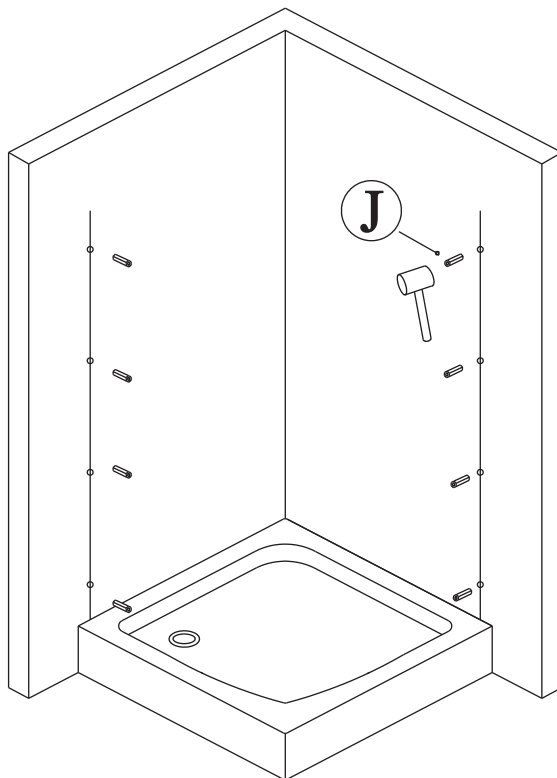
1



2

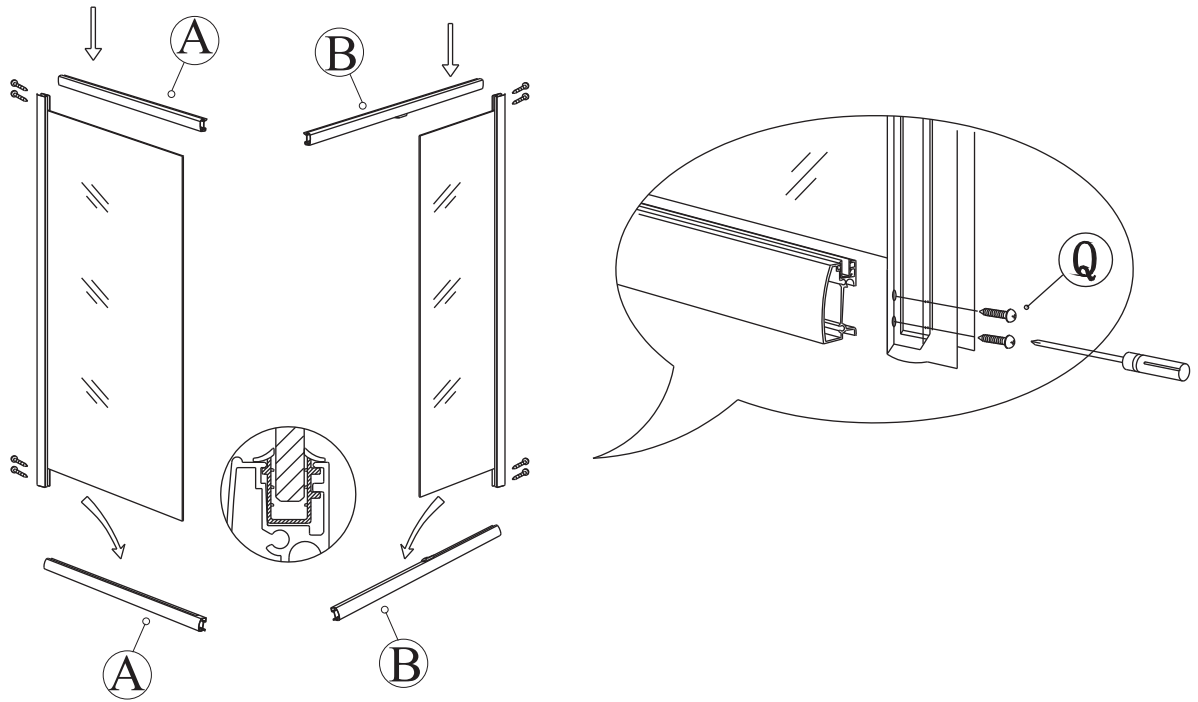


3

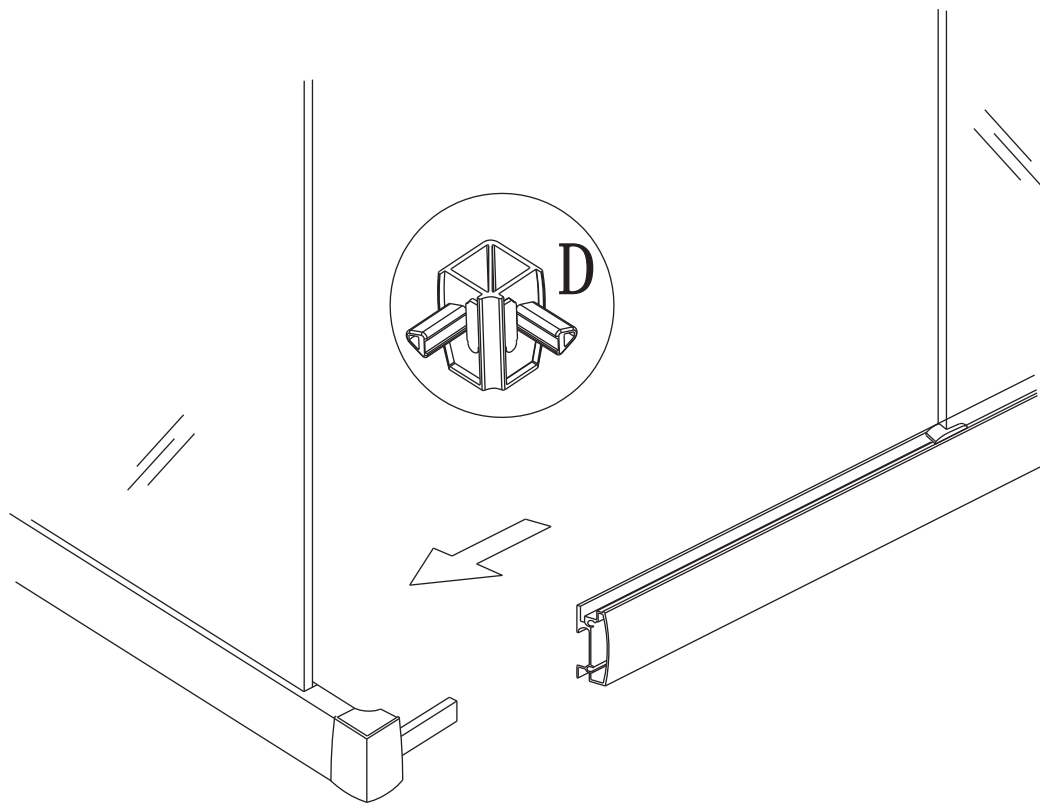


(3)

4

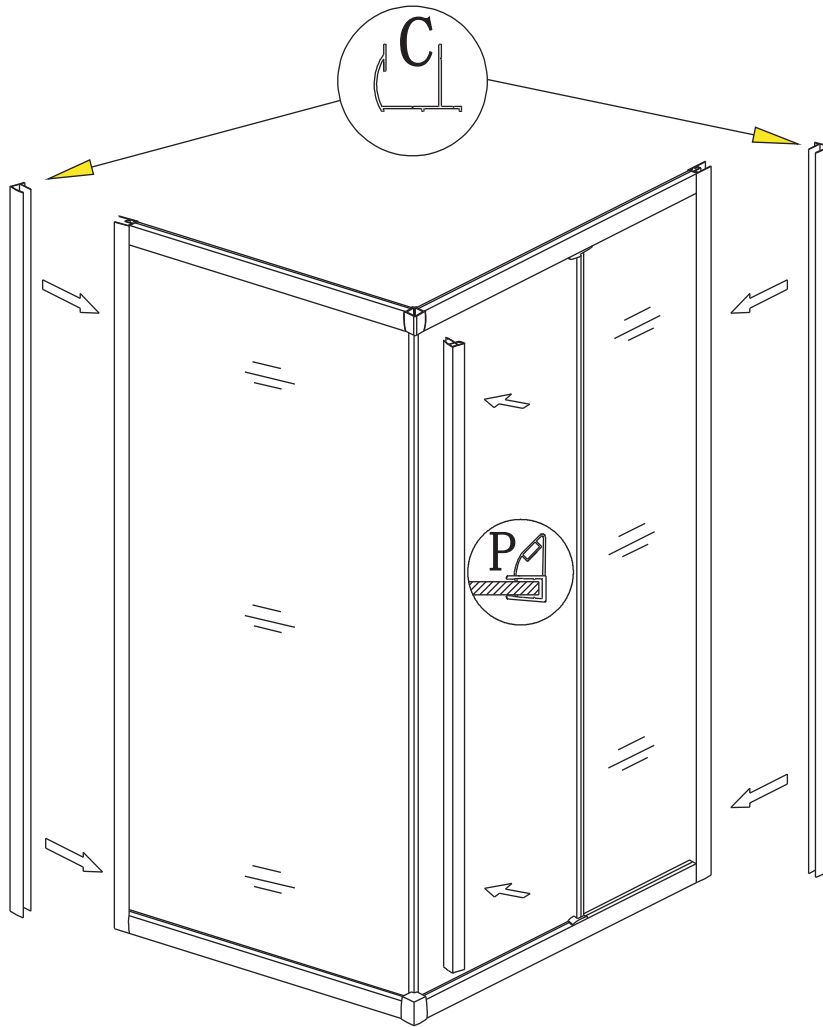


5

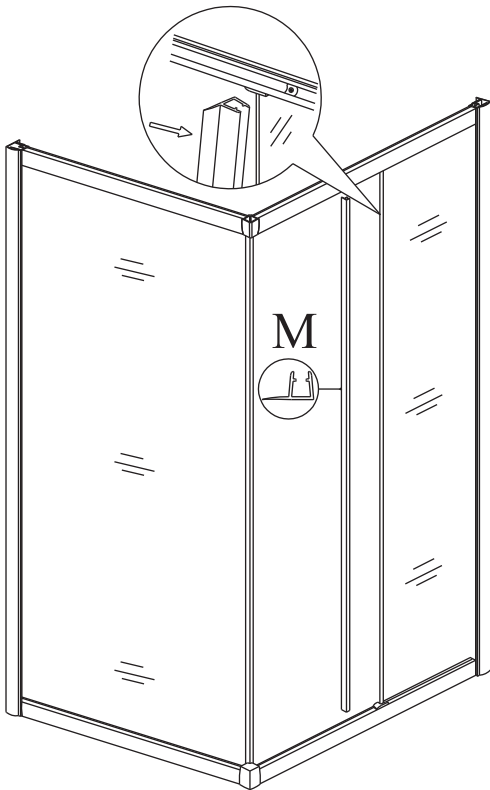


(4)

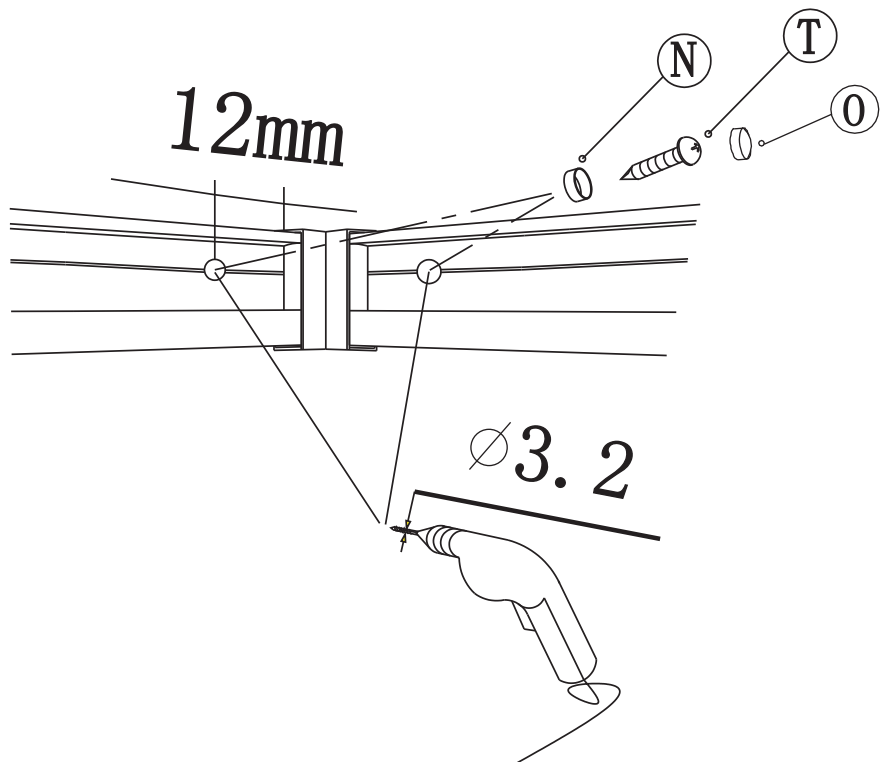
6



7

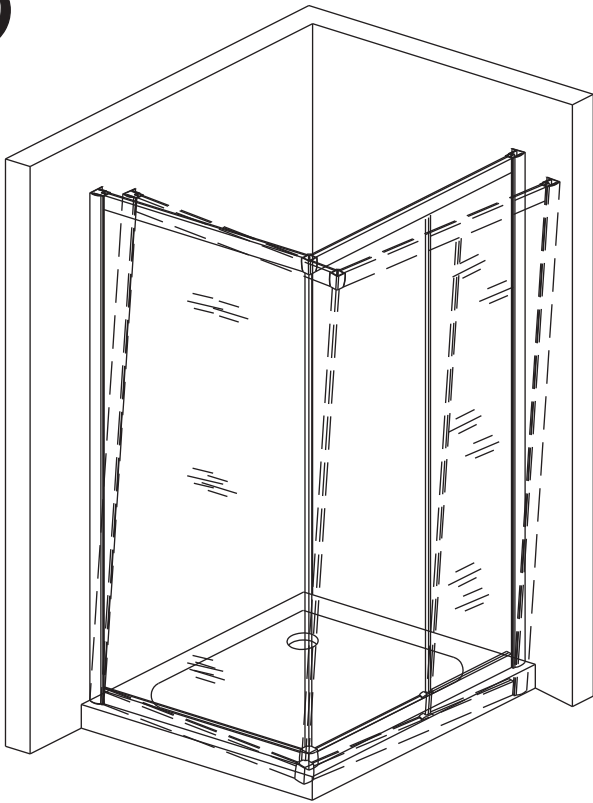


8

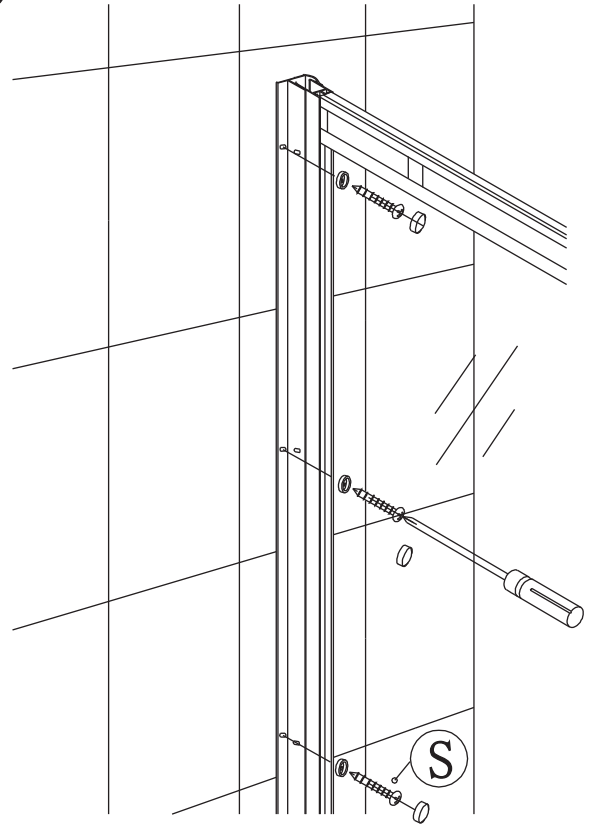


(5)

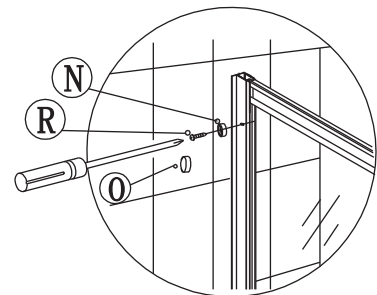
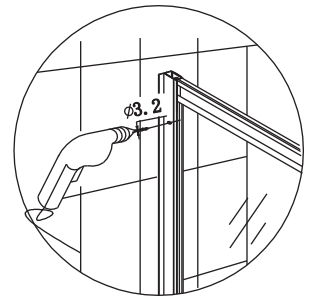
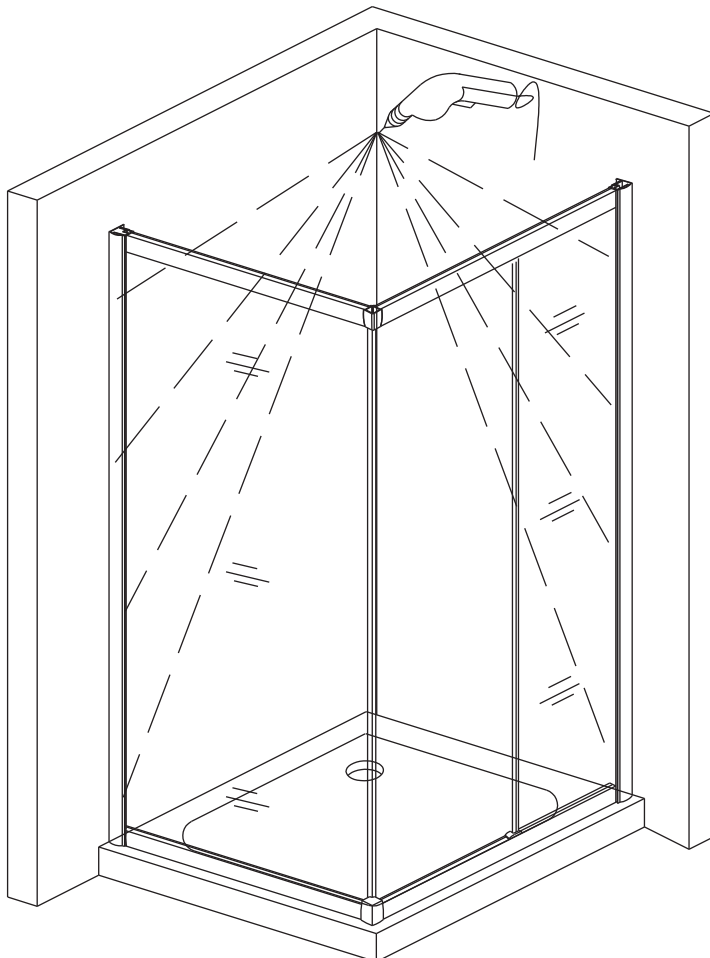
9



10

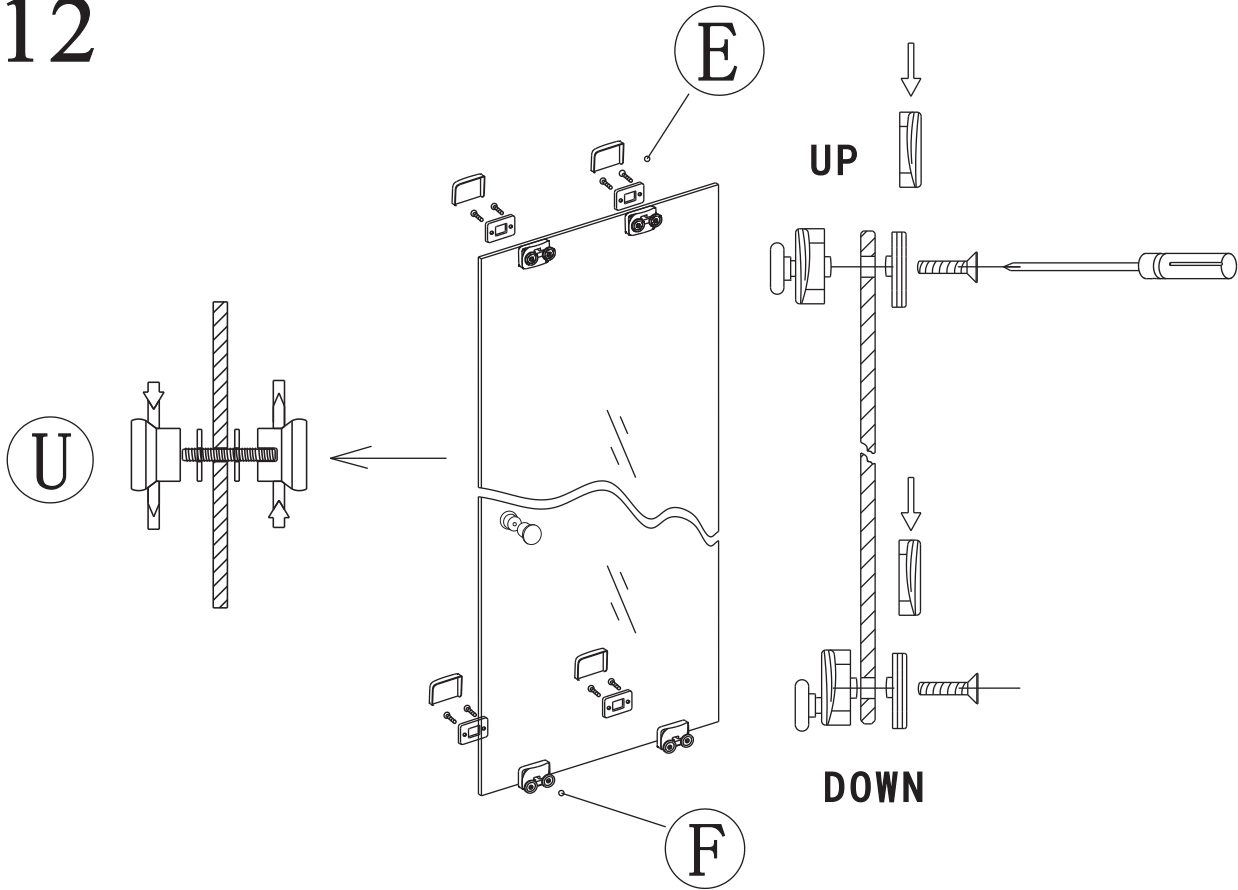


11

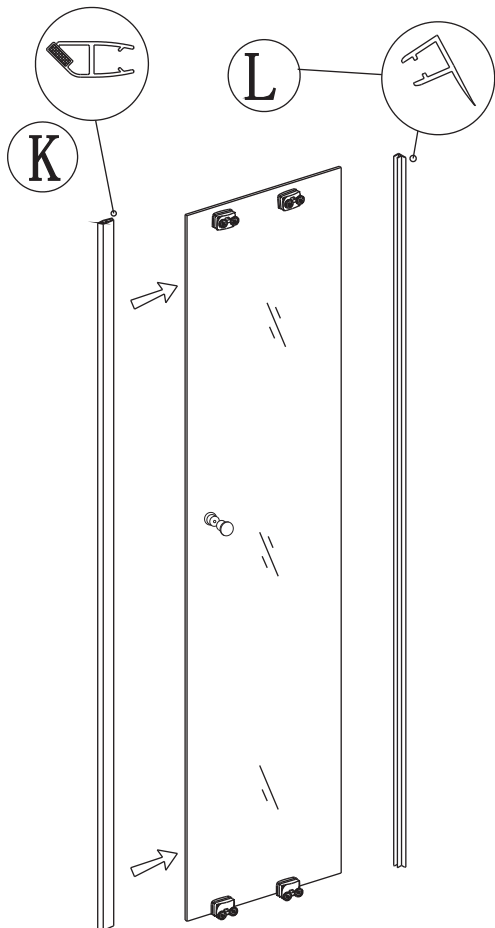


(6)

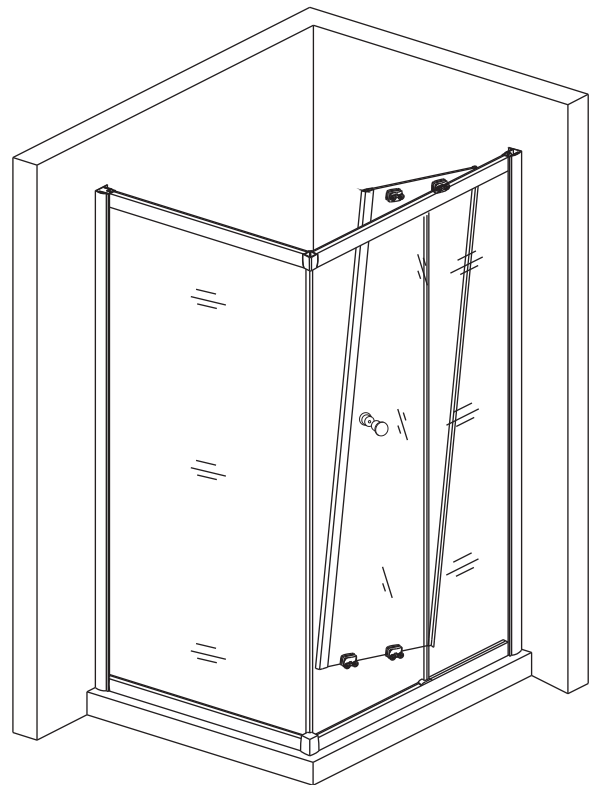
12



13

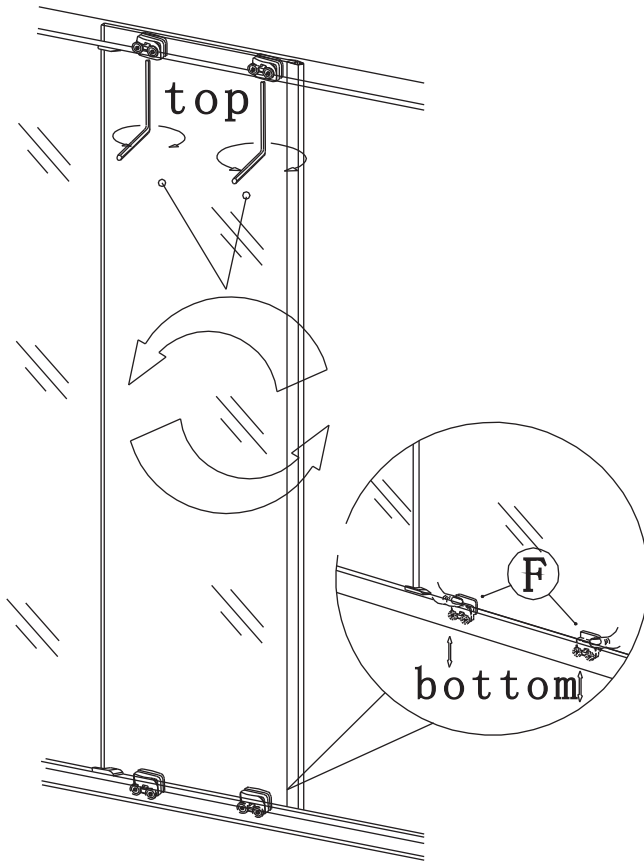


14

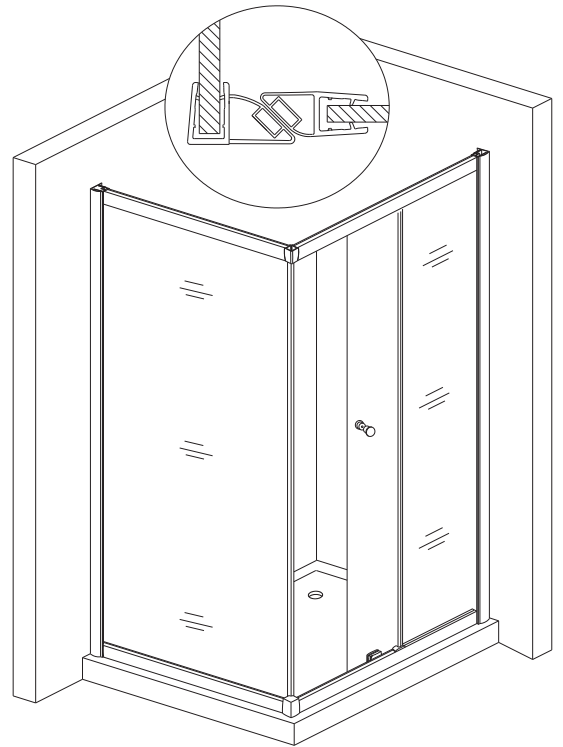




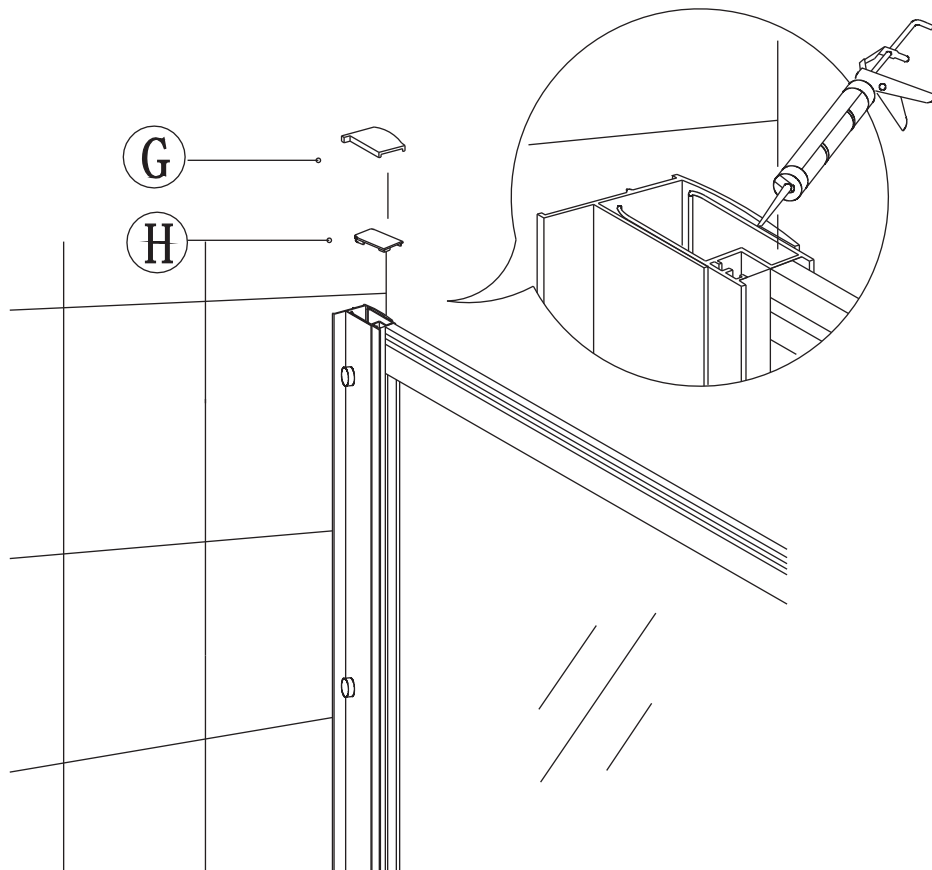
15



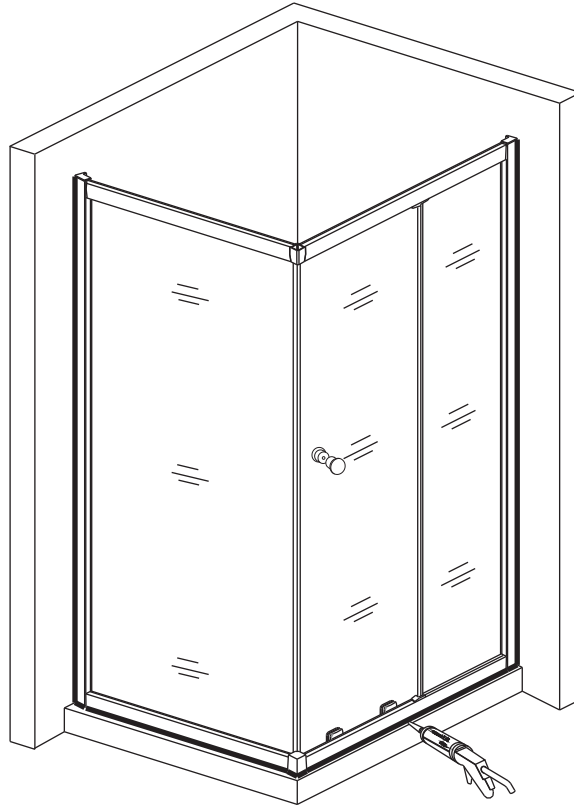
16



17



(8)



## **Cleaning & Maintenance**

*Clean the small components regularly to prevent the drain from being jammed. usually, clean the shower enclosure by mop with mild detergent.*

*Don't clean the shower enclosure with irritant detergent, such as alcohol, gasoline or other chemical cleaner.*

*Should there be any dirty stains on the shower enclosure, you may clean it by woven cloth with toothpaste, but you need to clean it with water afterwards.*

*After the installation is completed, if you find there is much noise when the glass door moves, you may add small quantity of lubricant onto the roller wheel, slipping hook and the track.*